

TACHYON 16k CAMERA & TACHYON 16k CAMERA PLUS

Uncooled MWIR 128x128 pixels infrared camera with high-speed frame rates up to 4000 frames per second

Maximum added value and affordability to ensure a full integration in the INDUSTRY 4.0 applications



GiGE VISION GEN<i>CAM

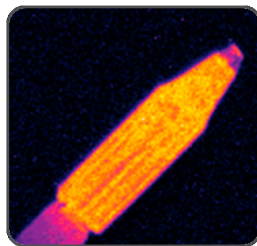
- ▶ Detector type: VPD PbSe FPA with digital interface, uncooled operation
- ▶ Array format: 128x128 (16384 pixels)
- ▶ Pixel size: 50 μm x 50 μm (square format)
- ▶ Spectral range: MWIR, 1.0 μm to 5.0 μm
- ▶ Peak wavelength of detection: 3.7 microns
- ▶ Integration time: 10 - 1000 μs , selectable
- ▶ Raw data communication, 14 bit
- ▶ Interfaces:
 - ▶ GigE VISION 2.0 (GenICam compatible) with PoE
 - ▶ Multipurpose DI/DO connector (trigger IN/OUT) (cable sold separately)
- ▶ Maximum frame rate: 4000 fps (TACHYON 16k CAMERA PLUS) (see table)
- ▶ ROI windowing function (see table for full description of possible modes)
- ▶ Mechanical shutter for 1-pt offset correction
- ▶ Start-up time: < 10 seconds
- ▶ Power supply: PoE, 8 W (non-PoE operation requires 12 VDC)
- ▶ Metal housing with rear connectors and tripod screw holes (M3 and M4)
- ▶ Dimensions and weight (w/o optics): 66 (L) x 62 (W) x 62 (H) (mm), 400 grams
- ▶ Optics (standard option): f=35 mm, F#1.1, FoV 10.5° x 10.5°, AR coating (1 - 5 μm), manual focus with CS-mount interface
- ▶ Software included:
 - ▶ NIT SOFTWARE SUITE (Acquisition and visualization SW)
 - ▶ SDK available for custom software programming
- ▶ Minimum temperature of detection: 100 °C
- ▶ Industrial applications: machine vision, additive manufacturing, industrial process monitoring, gas detection, spectroscopy, glass manufacturing quality assurance



Additive manufacturing monitoring



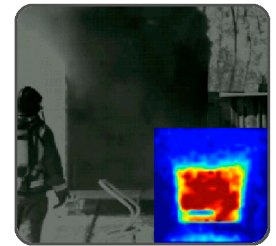
Manufacturing process control



Machine vision applications



Gas and spectroscopy



Fire detection

New Infrared Technologies
Calle Vidrieros 30, Nave 2
28660 Boadilla del Monte, Madrid
SPAIN
www.niteurope.com

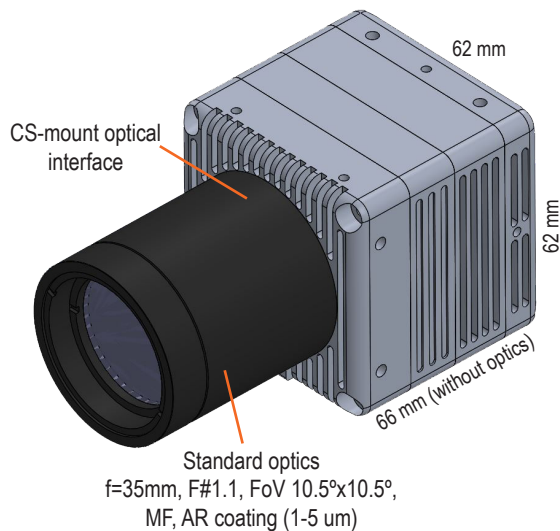
NIT
New Infrared
Technologies

TACHYON 16k CAMERA & TACHYON 16k CAMERA PLUS

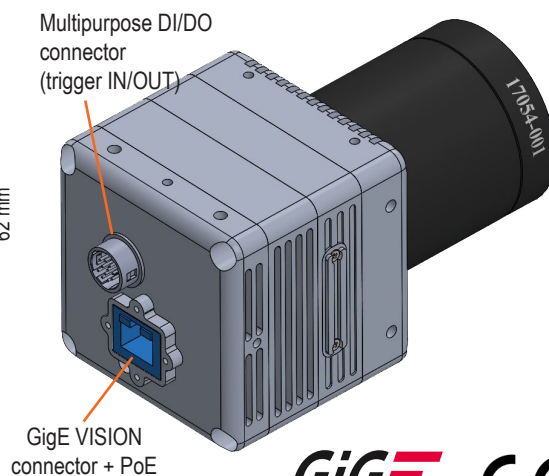
Main specifications

	TACHYON 16k CAMERA	TACHYON 16k CAMERA PLUS
MAXIMUM FRAME RATE	2000 frames per second @ 128×128	4000 frames per second @ 128×128 Allows higher frame rates using embedded ROI windowing functions
ACQUISITION MODE	128×128: Interlaced acquisition 64×64, 32×32, 1×128: Global shutter acquisition	All modes: Global shutter acquisition
WINDOWING MODES	128×128 64×64 (center of FPA) 32×32 (center of FPA) 1×128 (center of FPA)	Window position and dimensions: configurable via SW
NUC CORRECTION TABLES	Software correction	Hardware correction (4 preconfigured tables)
DATA TRANSMISSION MODES	RAW data, 14 bit	Selectable: – RAW data, 14 bit – NUC corrected, 16 bit – High-speed mode RAW/NUC: 12 bit

Front view



Rear view



Main facts

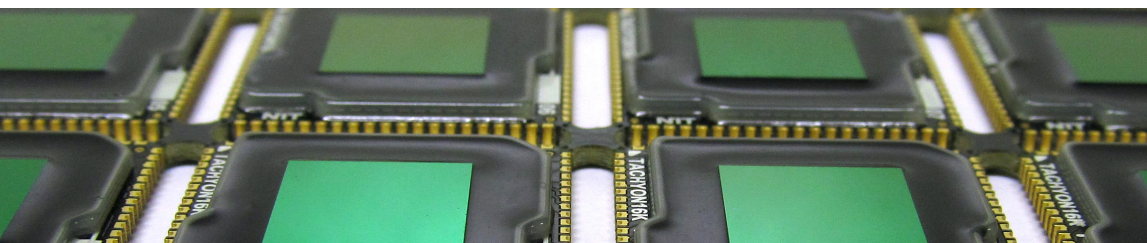
- ▶ Maximum added value and affordability
- ▶ Miniaturized compact size to ensure a full integration in the Industry 4.0 applications and Factories of the Future production lines

Typical applications

- ▶ Additive manufacturing
- ▶ Industrial process monitoring
- ▶ Machine vision
- ▶ Gas and flame detection
- ▶ Spectroscopy
- ▶ Glass manufacturing quality assurance
- ▶ R+D

Industries of use

- ▶ Automotive industry
- ▶ Home appliance manufacturing
- ▶ Metallurgy and steel industry
- ▶ Petrochemical industry
- ▶ Glass manufacturing industry



New Infrared Technologies
Calle Vidrieros 30, Nave 2
28660 Boadilla del Monte, Madrid
SPAIN
www.niteurope.com

NIT
New Infrared
Technologies